

4

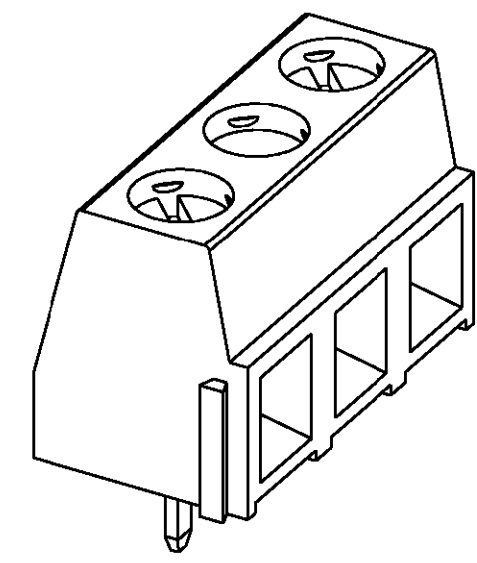
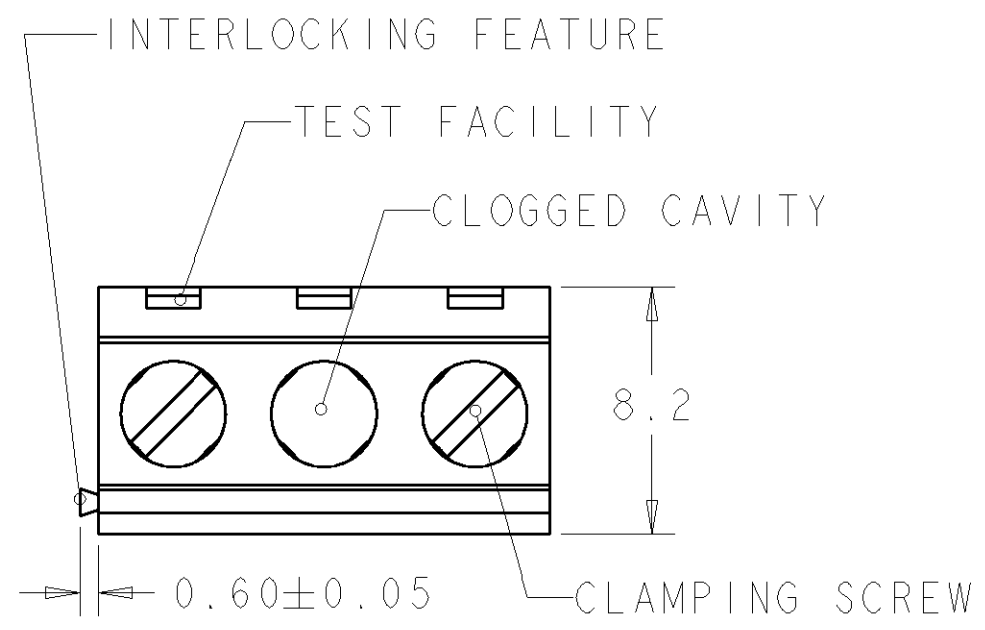
3

2

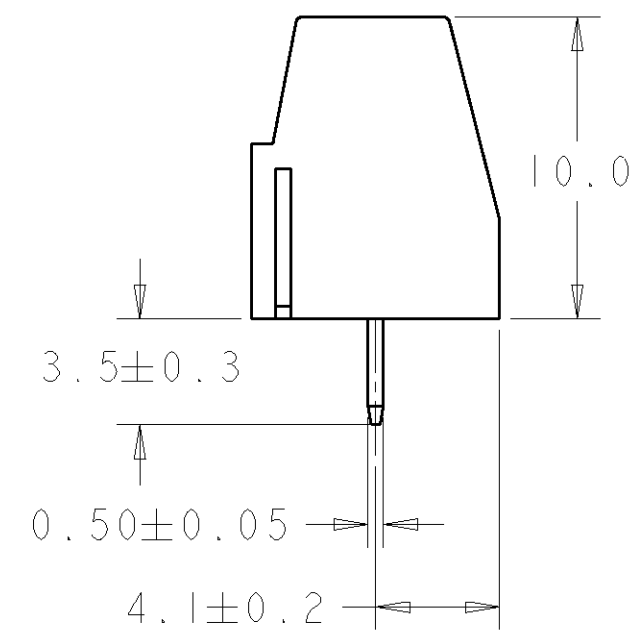
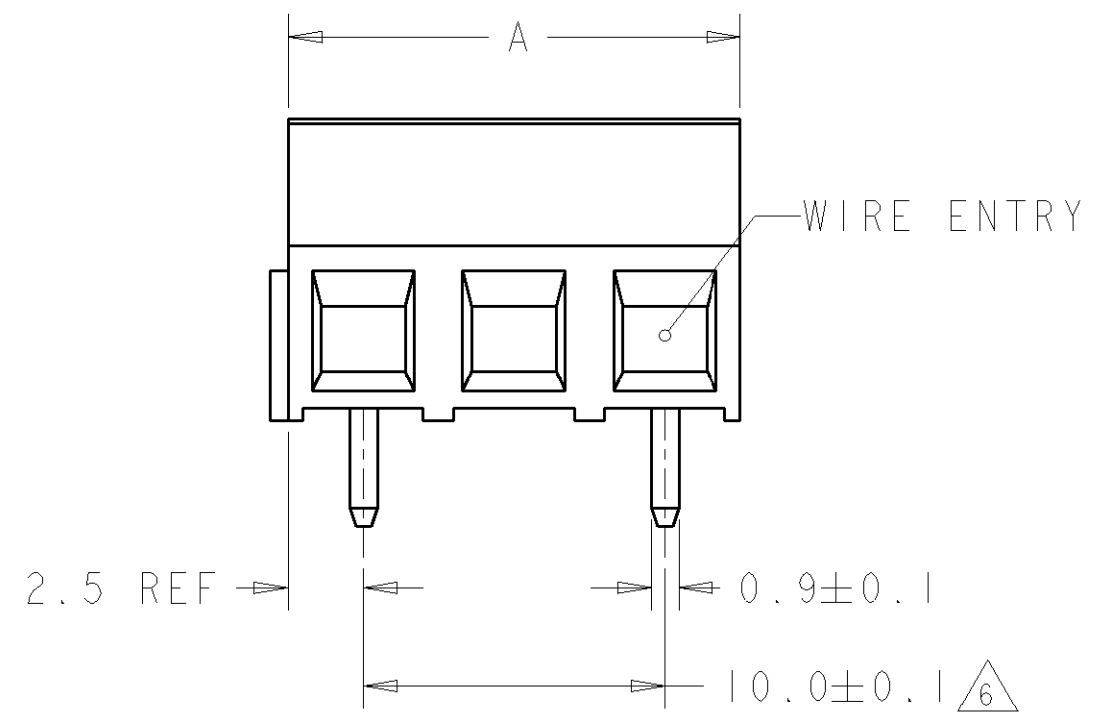
1

THIS DRAWING IS UNPUBLISHED. RELEASED FOR PUBLICATION 20  
 © COPYRIGHT 20 BY TYCO ELECTRONICS CORPORATION. ALL RIGHTS RESERVED.

LOC	DIST	REVISIONS			
P	LTR	DESCRIPTION	DATE	DWN	APVD
	C	REVISED PER 0G3B-0106-01	24AUG2001	EZ	DB
	D	REVISED PER 0G3B-0119-01	24AUG2001	EZ	DB

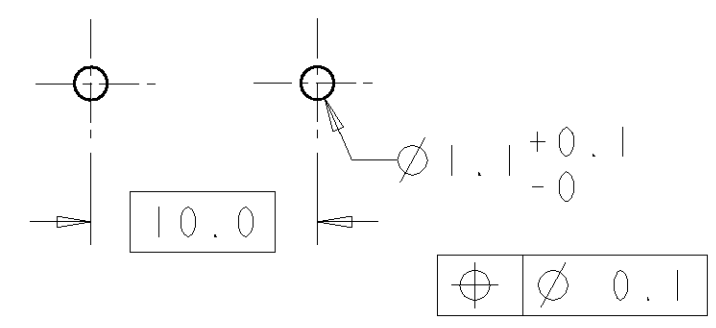


282838-2 AS SHOWN



MARKING	DIM. A	N° OF POS.	PART NUMBER
/	125	13	1-282838-4
/	115	12	1-282838-3
/	105	11	1-282838-2
/	95	10	1-282838-1
/	85	9	1-282838-0
/	75	8	282838-9
/	65	7	282838-8
SEE PAGE 2	25	3	282838-7
/	55	6	282838-6
/	45	5	282838-5
/	35	4	282838-4
/	25	3	282838-3
/	15	2	282838-2

RECOMMENDED PC BOARD LAYOUT



THIS DRAWING IS A CONTROLLED DOCUMENT FOR TYCO ELECTRONICS CORPORATION. IT IS SUBJECT TO CHANGE AND THE CONTROLLING ENGINEERING ORGANIZATION SHOULD BE CONTACTED FOR THE LATEST REVISION.

DIMENSIONS:	TOLERANCES UNLESS OTHERWISE SPECIFIED:	DWN	24AUG2001	<b>BUCHANAN</b> Tyco Electronics Harrisburg, PA 17105-3608
mm		CHK	24AUG2001	
	0 PLC ±-	APVD	24AUG2001	
	1 PLC ±.3	PRODUCT SPEC	108-20166	
	2 PLC ±.25	APPLICATION SPEC	114-20079	NAME
	3 PLC ±-	WEIGHT	-	SIZE
	4 PLC ±-			CAGE CODE
	ANGLES ±- ±2			DRAWING NO
MATERIAL	FINISH			RESTRICTED TO

CUSTOMER DRAWING SCALE 4:1 SHEET 1 OF 2 REV D

THIS DRAWING IS UNPUBLISHED.

RELEASED FOR PUBLICATION

20

© COPYRIGHT 20

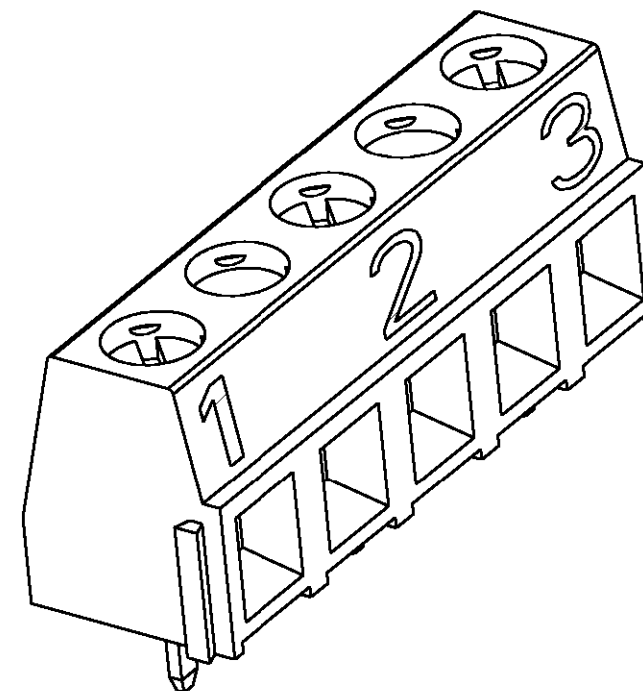
BY TYCO ELECTRONICS CORPORATION. ALL RIGHTS RESERVED.

LOC	DIST	REVISIONS			
P	LTR	DESCRIPTION	DATE	DWN	APVD
		SEE SHEET 1	-	-	-

- 1 MATERIALS AND FINISH  
HOUSING: PA 6-6, UL 94-V0, COLOR GREEN.  
CLAMP: BRASS, NICKEL PLATED.  
TERMINAL: BRASS, TIN PLATED.  
CLAMPING SCREW: M3, BRASS, NICKEL PLATED.
- 2 SUITABLE FOR 1,6-2,4mm PC BOARD THICKNESS.
- 3 WIRE SIZE RANGE  
SOLID WIRE: 0,03-1,5mm<sup>2</sup> (15AWG).  
STRANDED WIRE: 0,03-1mm<sup>2</sup> (17AWG).
- 4 RECOGNIZED UNDER THE COMPONENT PROGRAM OF  
UNDERWRITERS LABORATORIES INC. FILE N° E60677.
- 5 IMQ CERTIFICATE WITH SURVEILLANCE IN CONFORMITY  
WITH IEC 998-1/998-2-1.

6 NOT CUMULATIVE TOLERANCE.

7 INK MARKING COLOR WHITE, UNLESS OTHERWISE SPECIFIED.  
NUMERICAL SEQUENCE: FROM LEFT TO RIGHT, UNLESS  
OTHERWISE SPECIFIED.



282838-7 AS SHOWN

<small>THIS DRAWING IS A CONTROLLED DOCUMENT FOR TYCO ELECTRONICS CORPORATION IT IS SUBJECT TO CHANGE AND THE CONTROLLING ENGINEERING ORGANIZATION SHOULD BE CONTACTED FOR THE LATEST REVISION.</small>		DWN 24AUG2001 E. ZANOLINI CHK 24AUG2001 D. BIEVENOUR APVD 24AUG2001 D. BIEVENOUR		<b>BUCHANAN</b> Tyco Electronics Harrisburg, PA 17105-3608	
DIMENSIONS: mm 		TOLERANCES UNLESS OTHERWISE SPECIFIED: 0 PLC ±- 1 PLC ±- 2 PLC ±- 3 PLC ±- 4 PLC ±- ANGLES ±-		NAME <b>TERMINAL BLOCK PCB MOUNT SIDE ENTRY WIRE 10mm PITCH</b>	
MATERIAL - FINISH -		PRODUCT SPEC - APPLICATION SPEC - WEIGHT -		SIZE A3 CAGE CODE 00779 DRAWING NO C-282838 RESTRICTED TO -	
CUSTOMER DRAWING				SCALE 4:1 SHEET 2 OF 2 REV D	